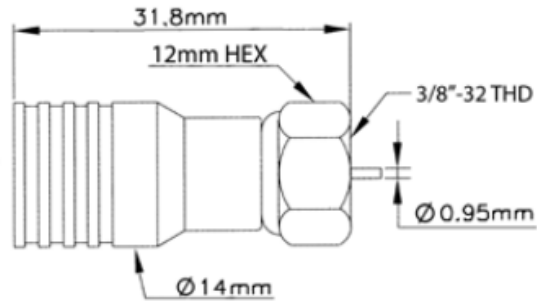




Drawing Number	Part Number	Description	Cable Category	Notes
CON1711CRI	F-MQC-617	F Male Quick Crimping add pin	11GR(RG-11/U)	A=6.3,B=8.1



Electric Data		
Characteristic Impedance	75ohm	
Frequency Range	0-1GHz	
Working Voltage	500 VRMS(max at sea level)	
Dielectric Withstanding Voltage	1500 VRMS(min at sea level)	
Contact Resistance	Inner: 10 milliohms( max) Outer: 5 milliohms( max)	
Insulation Resistance	1000 megohms(min)	
Mechanical Data		
Durability Mating	500 Cycles min.	
Material Data		
Connector Parts	Materials	Plating Finish
Body	Brass	Nickel
Male Pin	Brass	Nickel or Silver
Insulators	Polypropylene	N/A
Clamp Gaskets	Silicone Rubber or Synthetic Rubber	Nickel
Environmental Data		
Temperature Range	-25 ~ +60	

Note: We can provide other materials and plating specifications according to customers requirements

Address:392 Hanjiang Road,New District,Changzhou,Jiangsu,China  
 Tel : 0086-519-85102200 85100022  
 Fax : 0086-519-85101100 85120066  
 EM:sales@hayex.us  
 HTTP:www.hayex.us